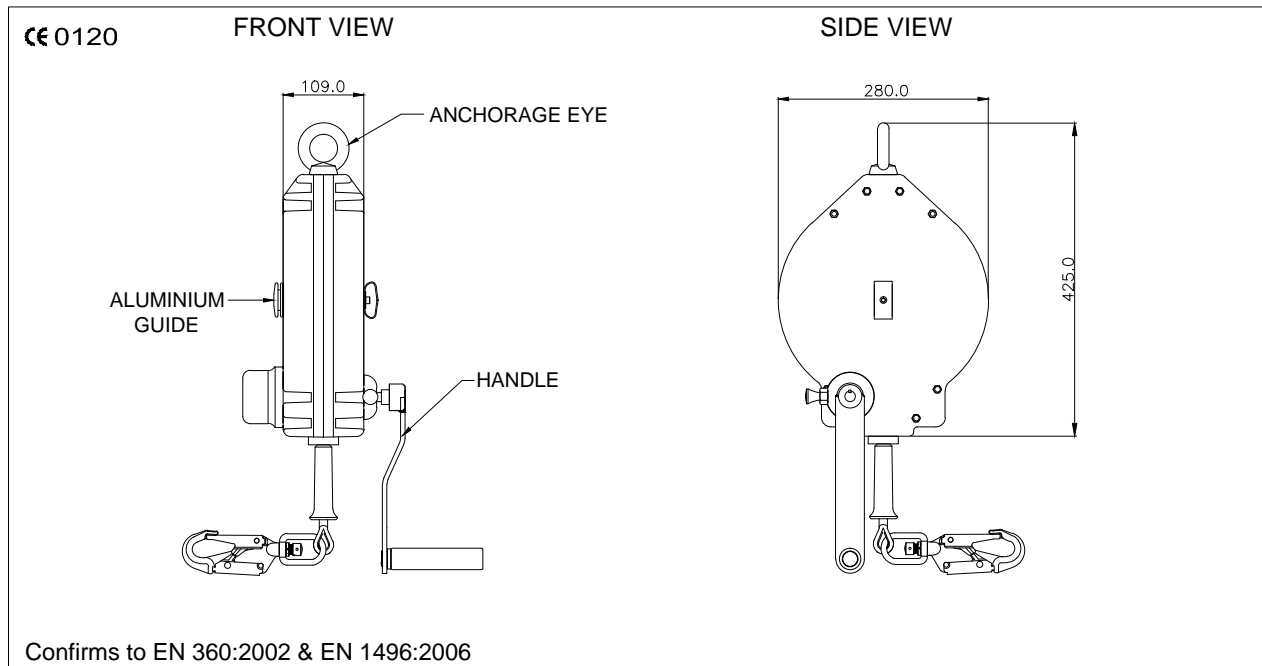


DOC NO	ISSUE	REVISION	PRODUCT REF.	DATE	QUALITY PLAN
QF/RD/05	01	00	AKBLOCK25R	25.03.16	
TECHNICAL SPECIFICATIONS				SIGNATURE	
				PRESIDENT (TECHNICAL)	

RETRIEVAL FALL ARRESTER BLOCK (AKBLOCK25R)



Confirms to EN 360:2002 & EN 1496:2006

DESIGN

- Retrieval fall arrester block in polymer casing coupled with hoisting winch to enable easy retrieval of victim.
- The locking pin on the side of the casing at the base of the handle allows this dual system to work in independent fall arrest & winch modes.
- Can be easily mounted on the leg of 'KARAM' System with specialized brackets -
 - SA 17(22) For Mega Pods
 - PN 800A(R)(09) For Tripods
 - PN 900(06) For K Pods
 - DA 04(13) For Davit Arm

PHYSICAL PARAMETERS

- Robust & durable plastic casing.
- Has swivel anchorage eye at anchorage end.
- Swivel steel snap hook with Load Indicator our Ref. PN 162 at attachment end.
- Galvanized steel wire rope (option of having S.S. wire rope available)

LENGTH

- Reference no. Length of cable
- PCGS 25R 25 Meters
- PCGS 30R 30 Meters
- (Special lengths also available on request subject to a minimum of 25 meters & maximum of 30 meters.)

CABLE

- Material : Galvanized steel wire rope Ø4.5 (Min.)
- Breaking strength : 15 kN or 1,530 kgf (Min.)

MINIMUM BREAKING STRENGTH

- 12 kN or 1,225 kgf

NORM

- Meets EN 360:2002 & EN1496:2006

WEIGHT

- PCGS 25R : 14.135 kg.
- PCGS 30R : 14.535 kg.

